

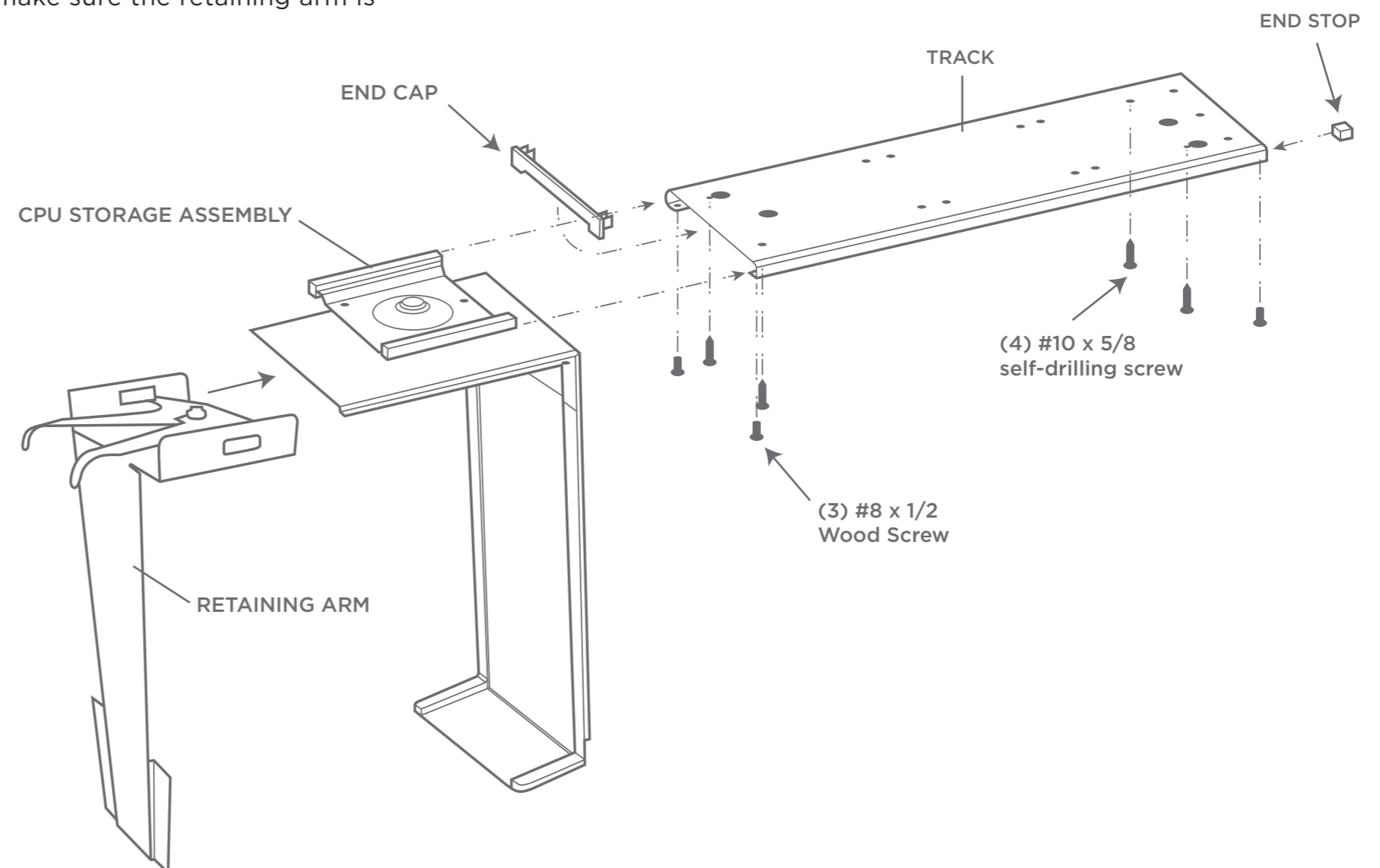
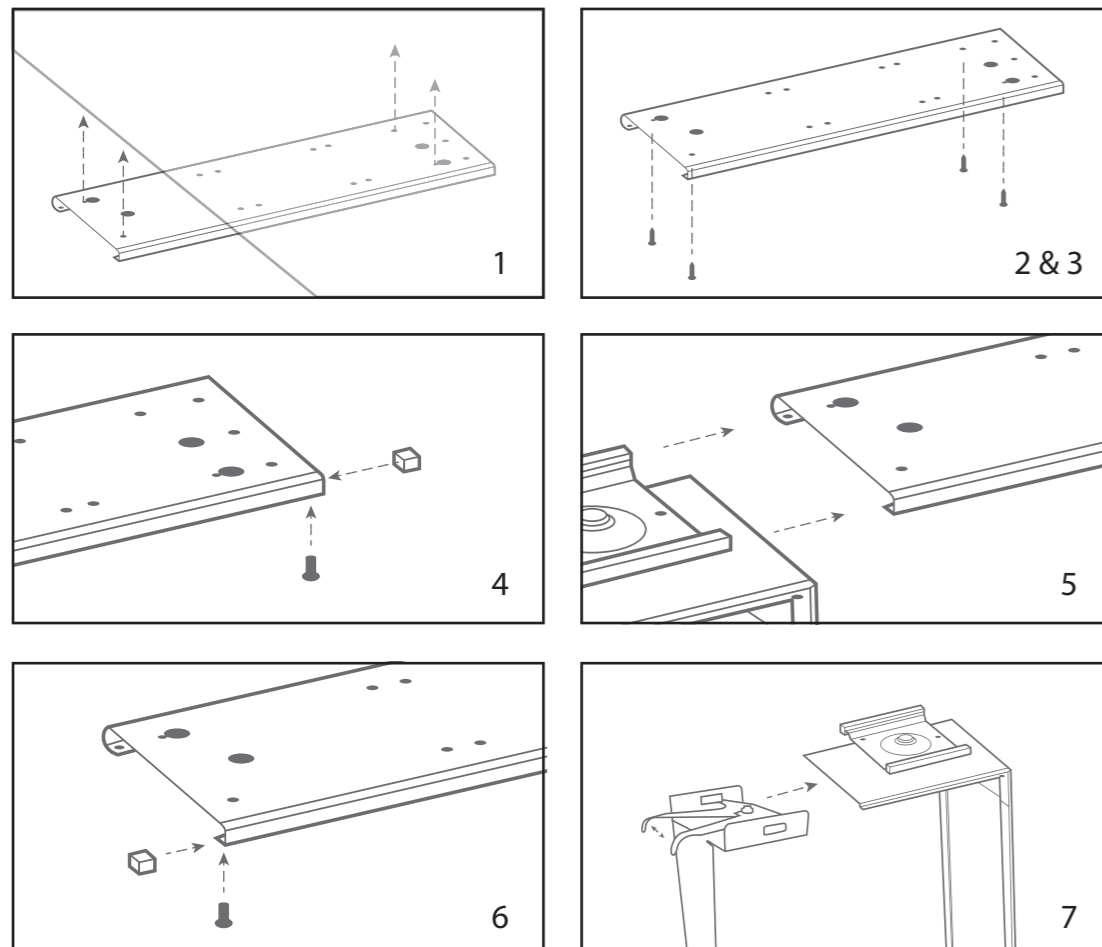
# CONNECT™ CPU MOUNT



**CAUTION:** Do not use any screw over 5/8" long or damage to the desktop may occur.

## INSTALLATION INSTRUCTIONS

1. Hold the track up to the desired position and mark the four #10 x 5/8" self-drilling screw positions as shown in the diagram. The mount allows for flexible placement, but be careful to not interfere with the placement of your other options, e.g., the keyboard platform.
2. The self-tapping screws may be inserted manually with a screwdriver or using a drill and driver. If using a drill, use the lowest speed and set the torque at 7-8 for a snug, but not overtightened fit. Setting the drill at too high a speed may strip the hole.
3. Secure base frame to desk using the four machine screws #10 x 5/8" self-drilling screw provided.
4. Install end stop inside one of two overlaps on the back of the base frame. Use one of the #8 x 1/2" screws.
5. Slide CPU storage assembly into the track.
6. Install the end cap into the front of the track and secure with the two remaining #8 x 1/2" screws.
7. To mount a CPU, squeeze the two levers on the retaining arm together to remove. Place the CPU in the assembly and replace the retaining arm. To ensure a strong hold, make sure the retaining arm is pressed firmly against the CPU before releasing the levers.



**MODEL:** NT-CPUS / NT-CPUB / NT-CPUW