

Preface

We are delighted that you have chosen NextDesk. Congratulations, you have selected the most advanced and sophisticated power-adjustable workstation available today. Our bodies weren't meant to sit or stand for hours at a time. Now you have the choice to sit or stand with the press of a button.

This user manual gives basic instructions for NextDesk Terra Pro and Air Pro models. We are sure that your NextDesk will provide you with many years of enjoyment. Should you ever experience a problem with any our products, please contact us.

Thank you for choosing Nextdesk. We hope you enjoy your NextDesk for many years!

~NextDesk Team

Table of Contents

Safety Instructions.....	Page 4
Unpacking & Preparation.....	Page 6
System Components List & Parts List.....	Page 7
Components Diagram.....	Page 8
Step 1: Combine Desktop Sides.....	Page 9
Step 2: Install Center Column Support.....	Page 10
Step 3: Secure Upper Crossbeams.....	Page 11
Step 4: Connect Lifting Columns to Desktop.....	Page 12
Step 5: Connect Floor Supports to Columns.....	Page 13
Step 6: Attach Artisan Crossbards.....	Page 14
Step 7: Connect Cables.....	Page 15
Step 8: Turn Over Desk.....	Page 16
Initialize Desk.....	Page 17
Cable Management.....	Page 18
Operating Controller.....	Page 19
Anti-Collision Feature.....	Page 20
Maintenance & Description of the NextDesk.....	Page 21
Troubleshooting & Repairs	Page 22
Limited Warranty.....	Page 23



Safety Instructions

WARNING! FAILURE TO COMPLY WITH OR OBSERVE ALL ASSEMBLY SAFETY AND OPERATING INSTRUCTIONS AND WARNINGS REGARDING THE USE OF THIS PRODUCT MAY RESULT IN SERIOUS BODILY INJURY.

The safety of NextDesk clients and users is our primary concern.

To ensure safe operation:



Read and understand this manual before attempting to install or operate the NextDesk.



Verify that everyone who uses the NextDesk is informed of the contents of this manual. This is the responsibility of the purchaser.



Leave this manual near the NextDesk and if possible, permanently affixed to the desk.

Safe use of the system is possible only when the operating instructions are read completely and the instructions contained are strictly observed.

Failure to comply with instructions below “QUICK TIP” may result in serious damage to the system or one of its components. Persons who do not have the necessary experience or knowledge of the NextDesk must not use the product. Persons with reduced physical or mental abilities must not use the NextDesk, unless they are under supervision or they have been thoroughly instructed in the use of the apparatus by a person who is responsible for the safety of these persons.





Safety Instructions (cont.)

Children must remain under close supervision to ensure that they do not play with the product.



It is important for everyone who is installing or using the NextDesk to have the necessary information and access to this User Manual.



If there is visible damage on the product it must not be installed.



The NextDesk is not intended for use by young children or for those persons who require supervision.



Children should be supervised to ensure that they do not tamper or play with the NextDesk.

Before Installation, Reinstallation, or Troubleshooting:



Stop the NextDesk.



Turn the power supply off by pressing the switch. Unplug the desk from the wall outlet.



Remove all objects from the desktop to reduce weight.

Before Start Up:



Make sure the NextDesk has been installed as specified in this manual.



System Connection - the individual parts must be connected before the control box is connected to the main power supply.



If the control box makes unusual noises or has an odor, switch off the main power supply immediately.



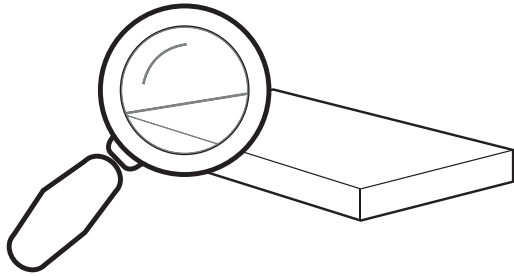
Make sure the cables are not damaged.



Refer to assembly video at nextdesks.com/assembly-video



Unpacking Your Nextdesk



Carefully remove the packaging from the NextDesk and then inspect all components for any shipping damage. Report any damage to the shipping company and fill out a concealed damage report.

Assembly Preparation



It is recommended to build your Nextdesk on a non-abrasive surface to avoid damaging the desktop.



Remove all parts and components from the box.



Ensure all parts and components listed on Page 7 have been included.

 **QUICK TIP:** DO NOT over-tighten screws during installation.














System Components List

- 2 - Outer Upper Support (pre-mounted)
- 1 - Middle Upper Support
- 1 - Microprocessor Control Box (pre-mounted)
- 1 - Push Button Controller with Memory Presets (pre-mounted)
- 3 - Power Lifting Columns
- 2 - Outer Support Bases
- 1 - Center Support Base
- 1 - Upper Center Support
- 1 - Main Power Cable (pre-installed for desks with power management)
- 3 - Motor Cables
- 2 - Artisan Crossbars



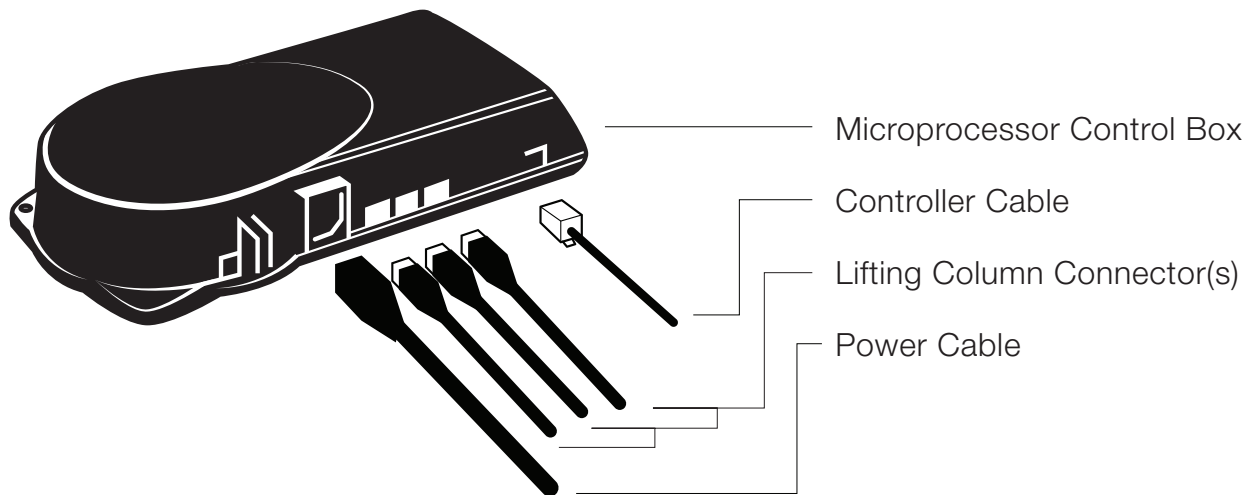
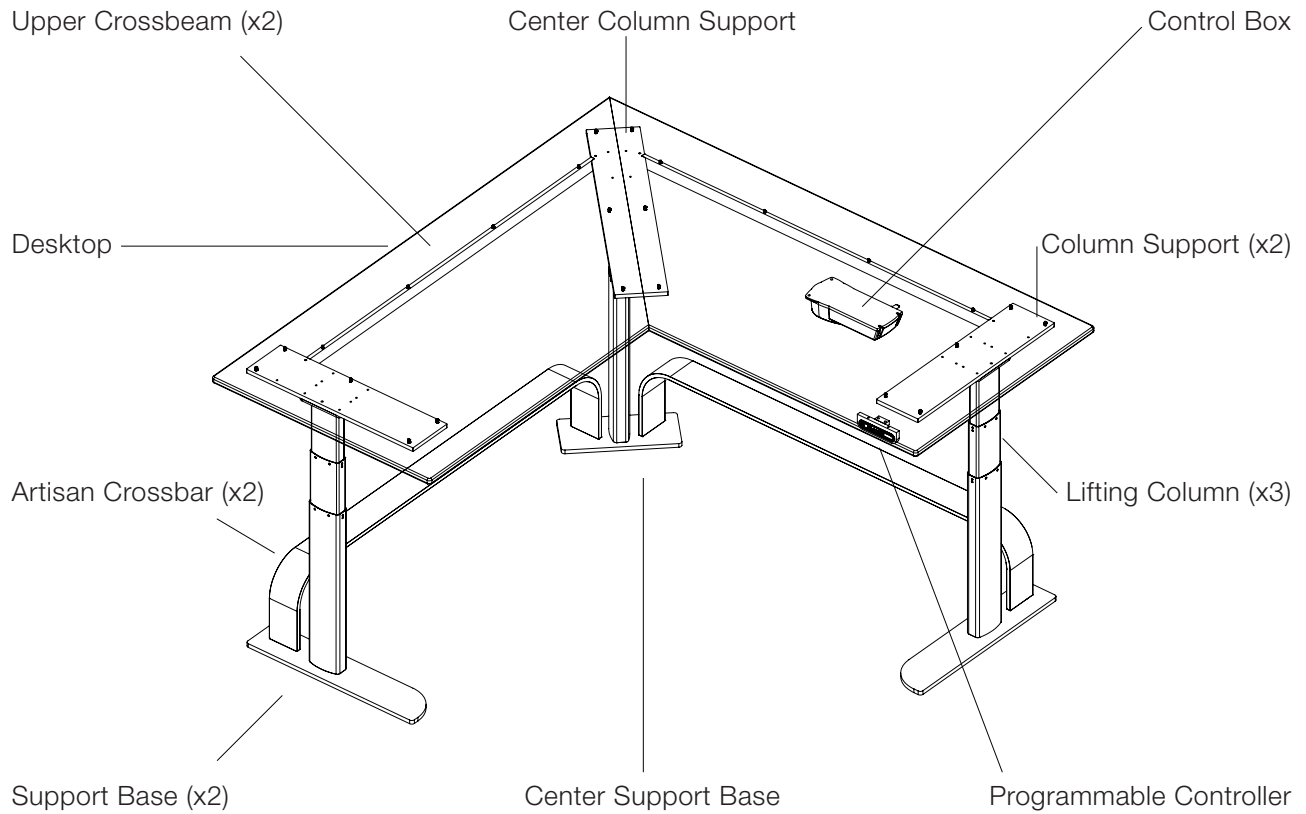
System Components List

- | | | |
|---|--------------|-----------------------------------|
|  | 6-10* | M6-35mm Socket Cap Machine Screw |
|  | 4 | M6-25mm Socket Cap Screw |
|  | 20 | M6-25mm Countersunk Machine Screw |
|  | 6 | M6-25mm Buttonhead Machine Screw |
|  | 12 | M6-14mm Countersunk Machine Screw |
|  | 2 | Zipbolts |
|  | 1 | Allen Wrench / Hex Key (5/32) |
|  | 1 | Allen Wrench / Hex Key (1/8) |
|  | 1 | Power Cord |
|  | 10 | Adhesive Zip Ties |
|  | * | Desk Grommets |

* - Will vary based on your desk configuration




Components Diagram

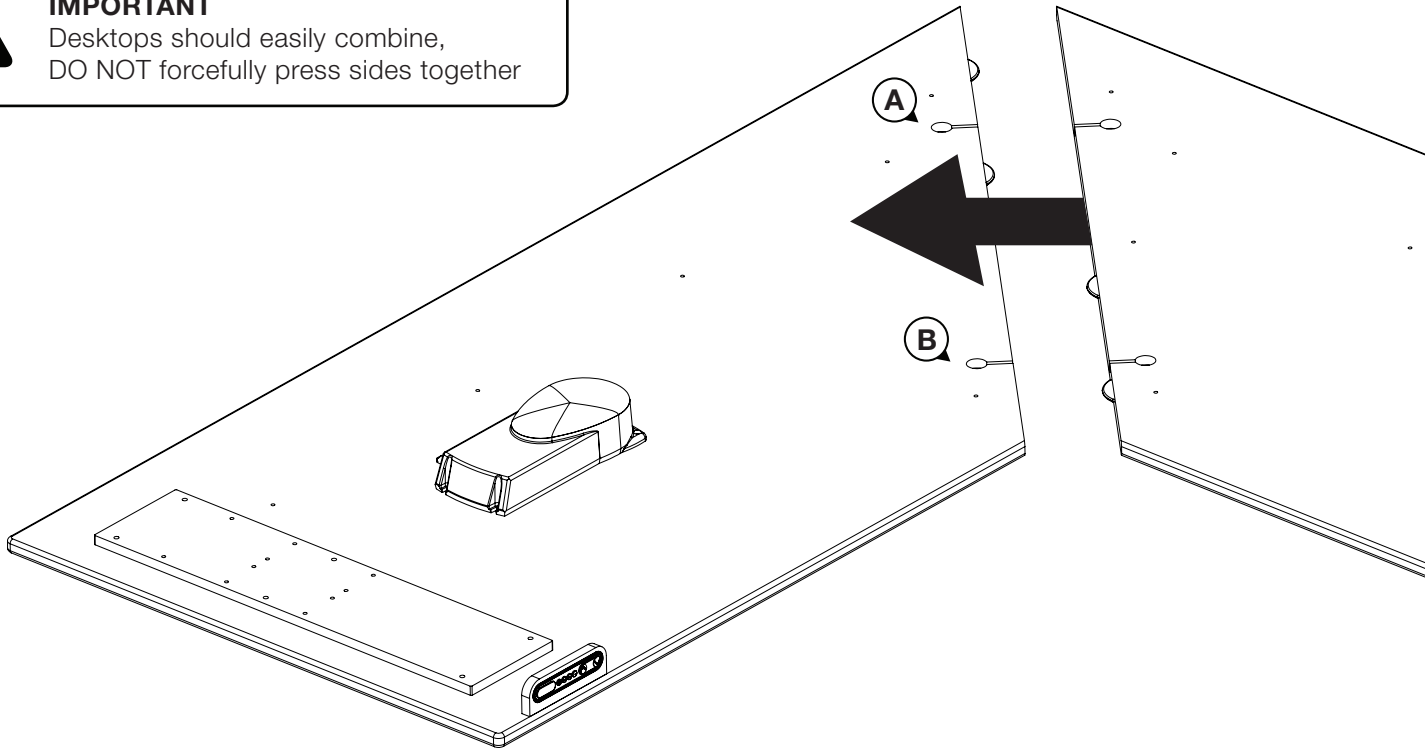


Step
1a

Combine Desktop Sides

Assemble the desktop by aligning the inserts into the opposing side.

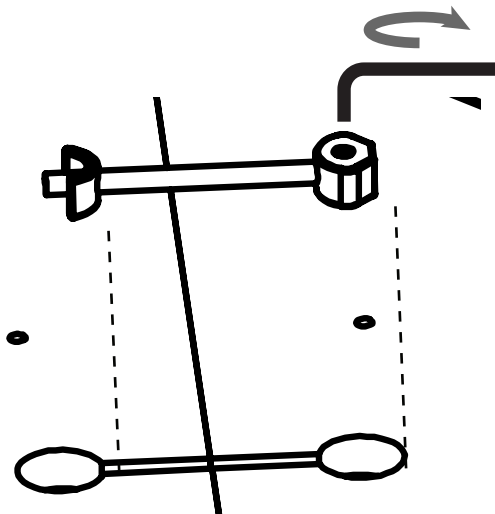
 **IMPORTANT**
Desktops should easily combine,
DO NOT forcefully press sides together



Step
1b

Insert and Tighten Zipbolts

Insert a zipbolt into the interlocking channels (A and B in the diagram above) and tighten using the included 5/32 allen wrench



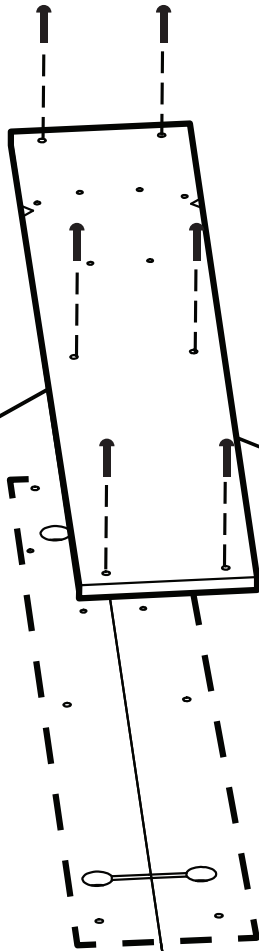
 **HARDWARE REQUIRED**
2 - Ziplock Bolts



Step
2

Install Center Column Support

Using the six M6-25mm Buttonhead screws, secure the Center Column Support to the desktop.



HARDWARE REQUIRED

6 - M6-25mm Buttonhead



IMPORTANT

DO NOT over-tighten screws

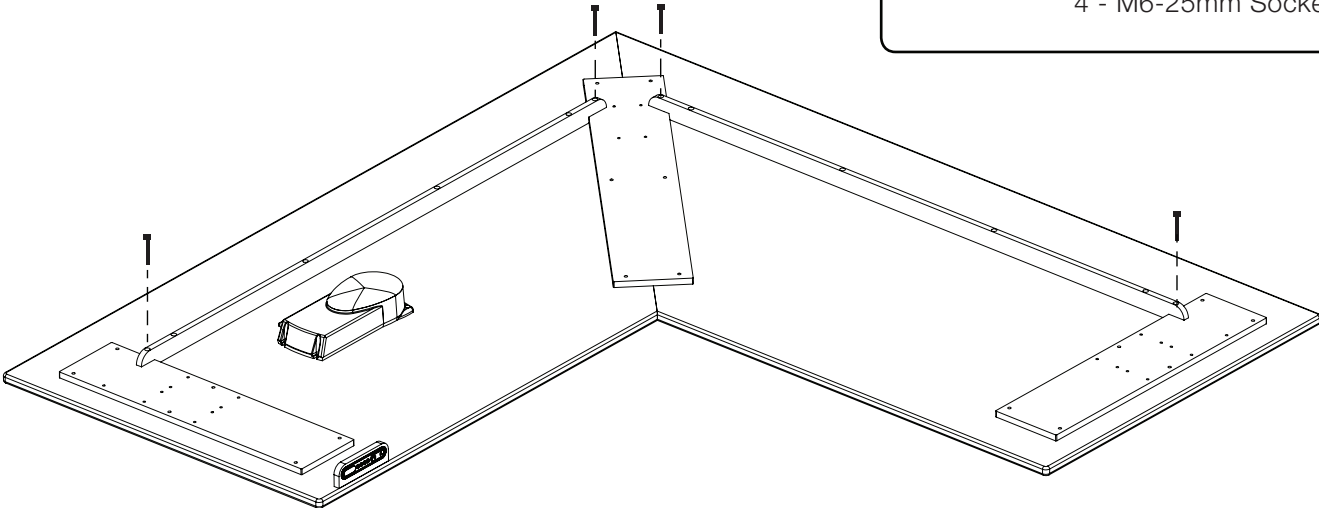


Step
3a

Secure Upper Crossbeams to the Column Supports

Using the 4 M6-25mm Socketcap screws, secure Upper Crossbeams to the Column supports (outermost holes)

 **HARDWARE REQUIRED**
4 - M6-25mm Socket Cap

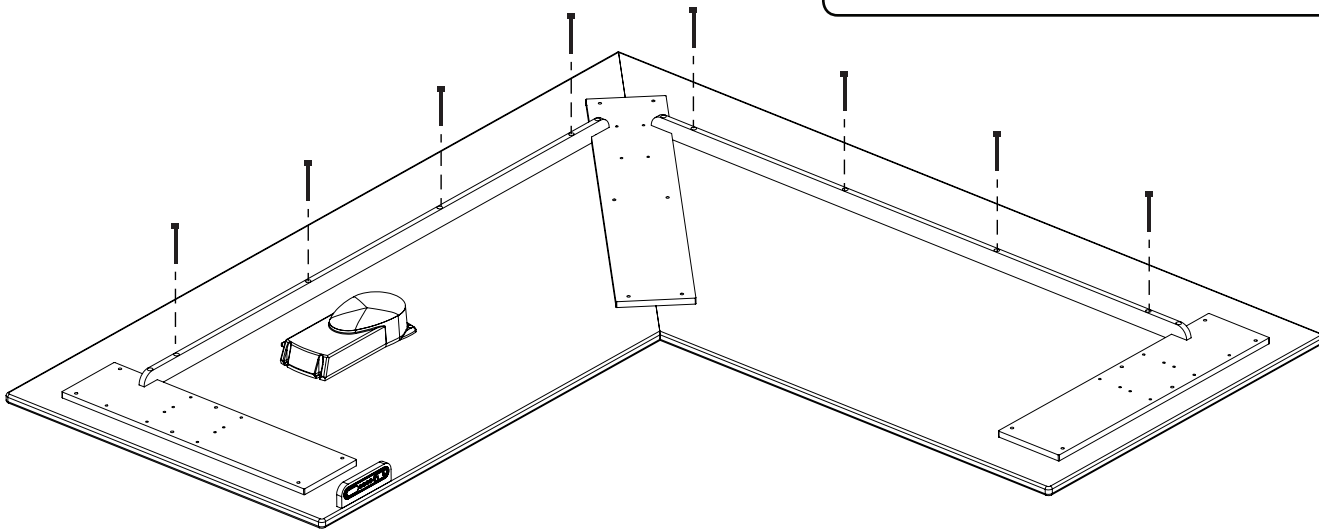


Step
3b

Secure Upper Crossbeams to Desktop

Using the 6-10* M6-35mm Socketcap screws, secure Upper Crossbeams to the desktop (inside remaining holes)

 **HARDWARE REQUIRED**
6-10* - M6-35mm Socket Cap



* - Will vary based on your desk configuration

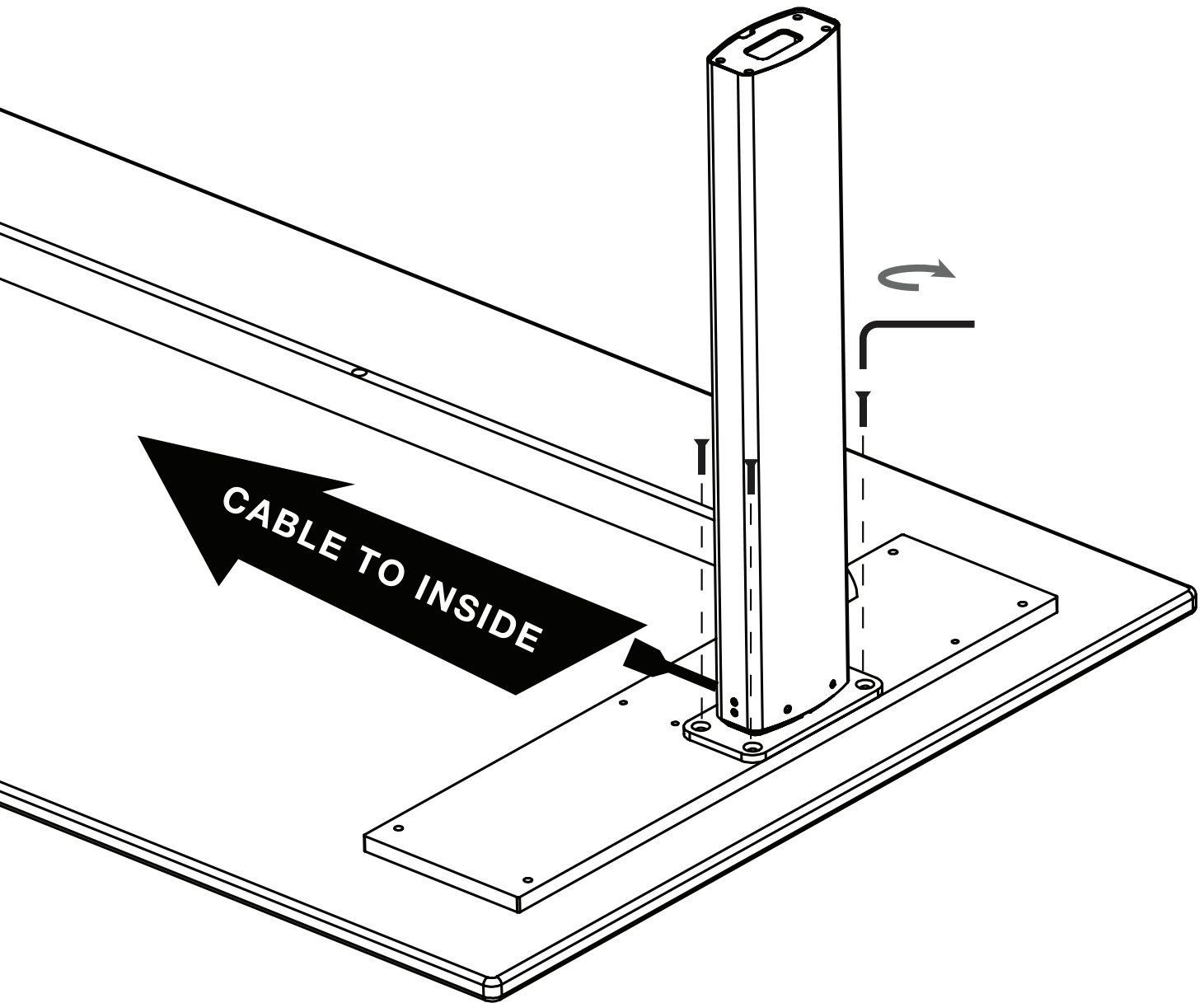


Step
4

Connect Lifting Columns to the Desktop x3




HARDWARE REQUIRED
12 - M6-14mm Countersunk



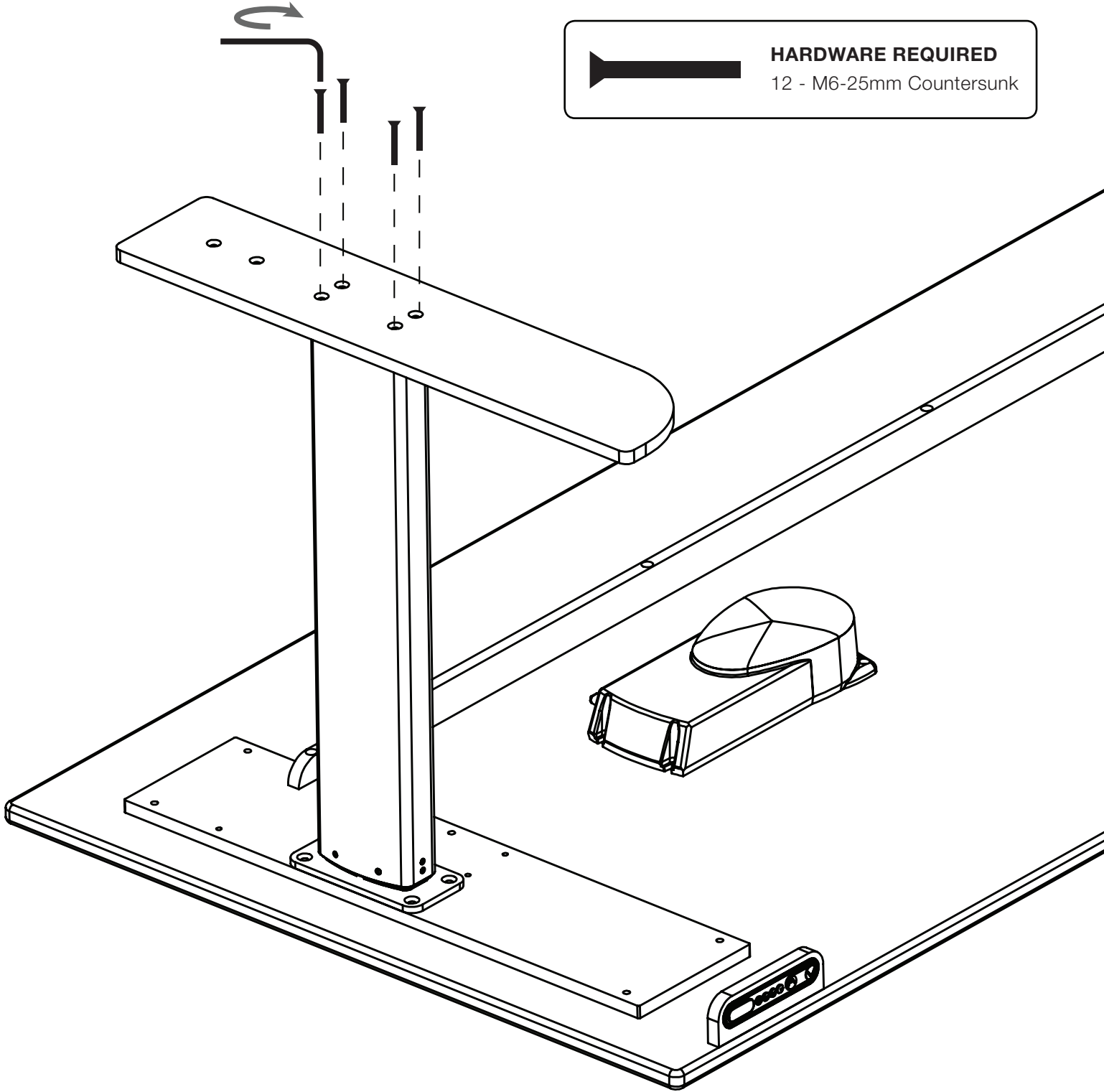
Step
5

Connect Floor Supports to Columns x3

Note: Outer Support Bases are reversible, but we find most customers prefer the rounded facing to the inside of the desk.



HARDWARE REQUIRED
12 - M6-25mm Countersunk



Step
6

Attach Artisan Crossbars

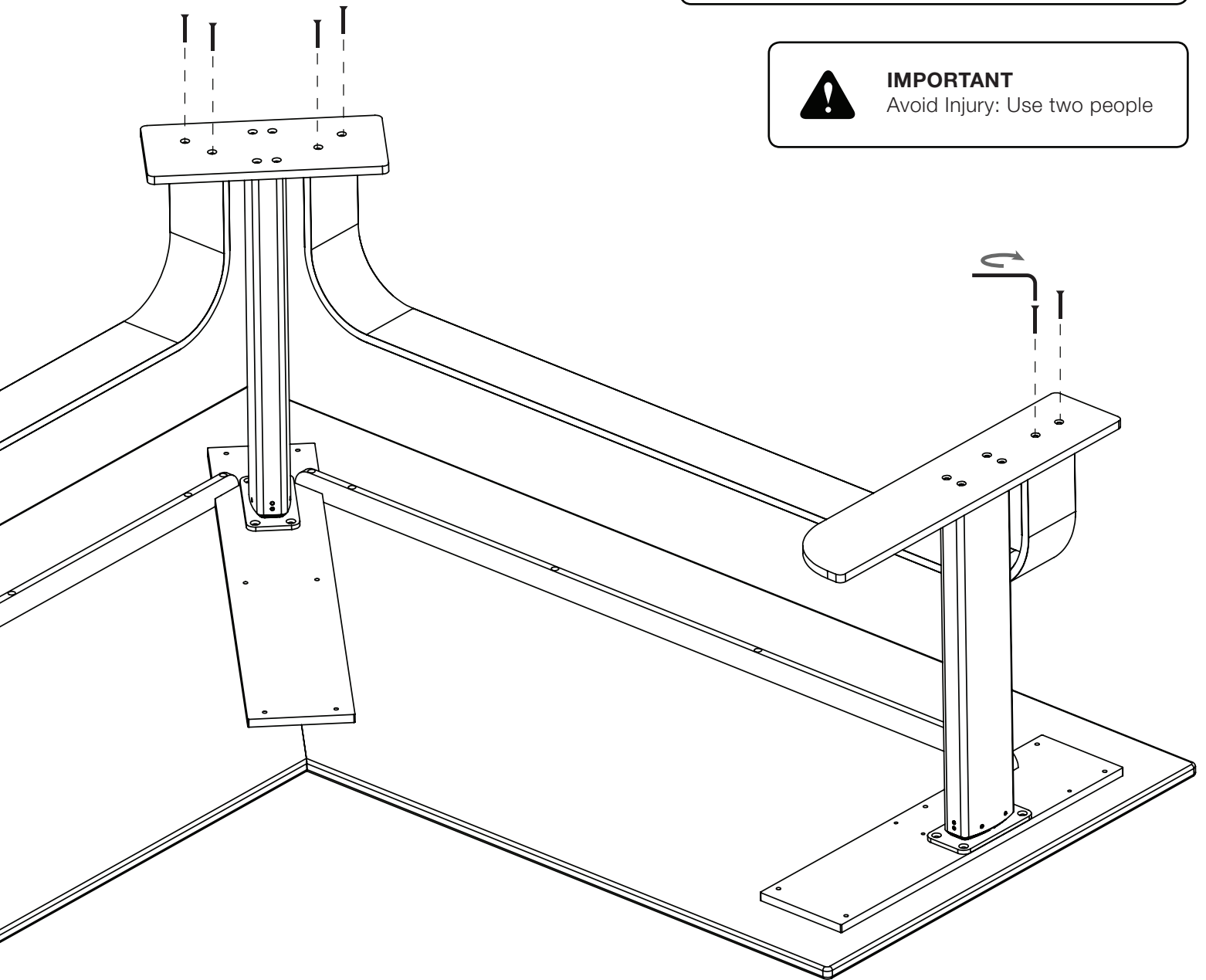
Using two people, align and attach the Artisan Crossbar using the included eight M6-25mm Countersunk screws



HARDWARE REQUIRED
8 - M6-25mm Countersunk



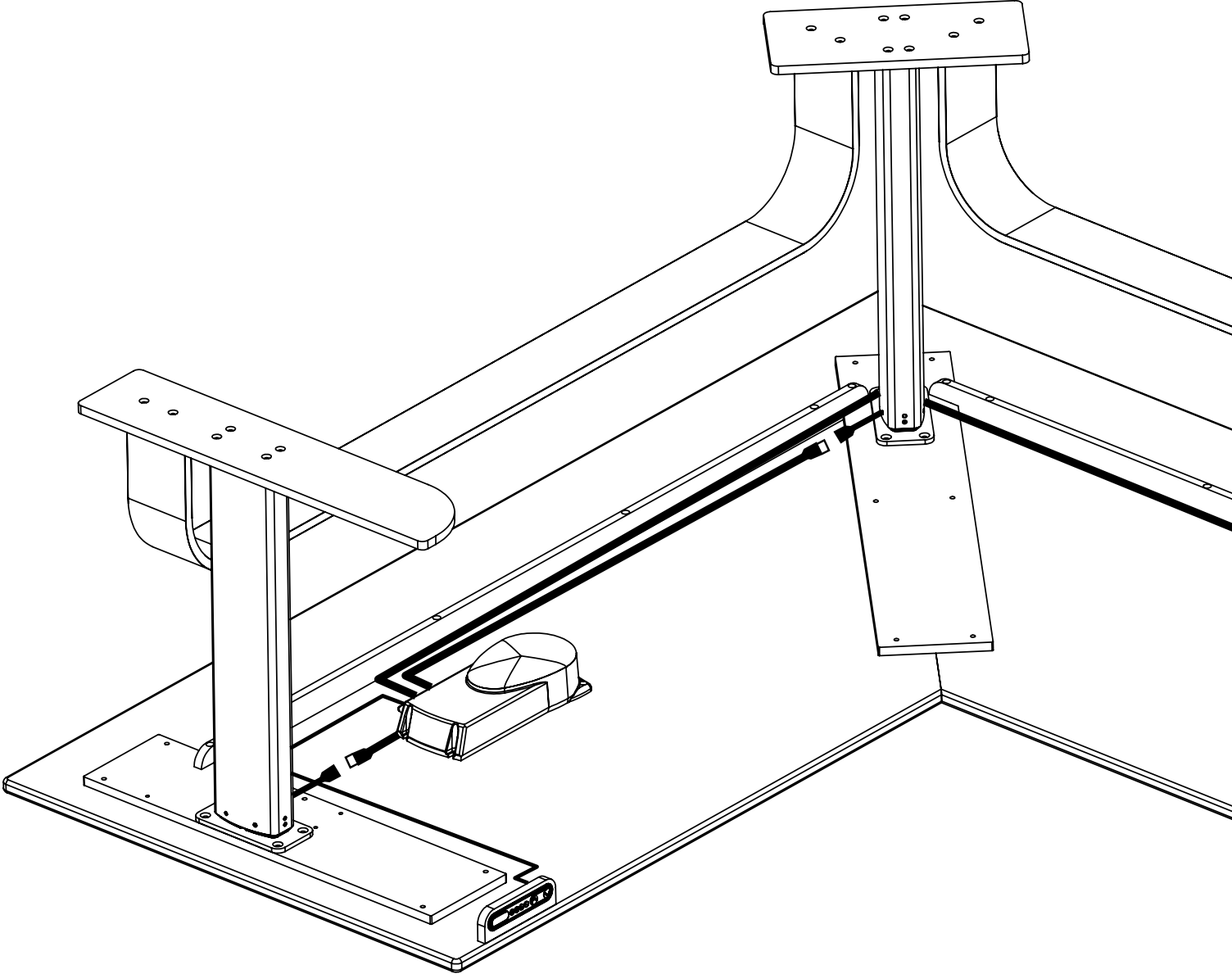
IMPORTANT
Avoid Injury: Use two people



Step
7

Connect Cables

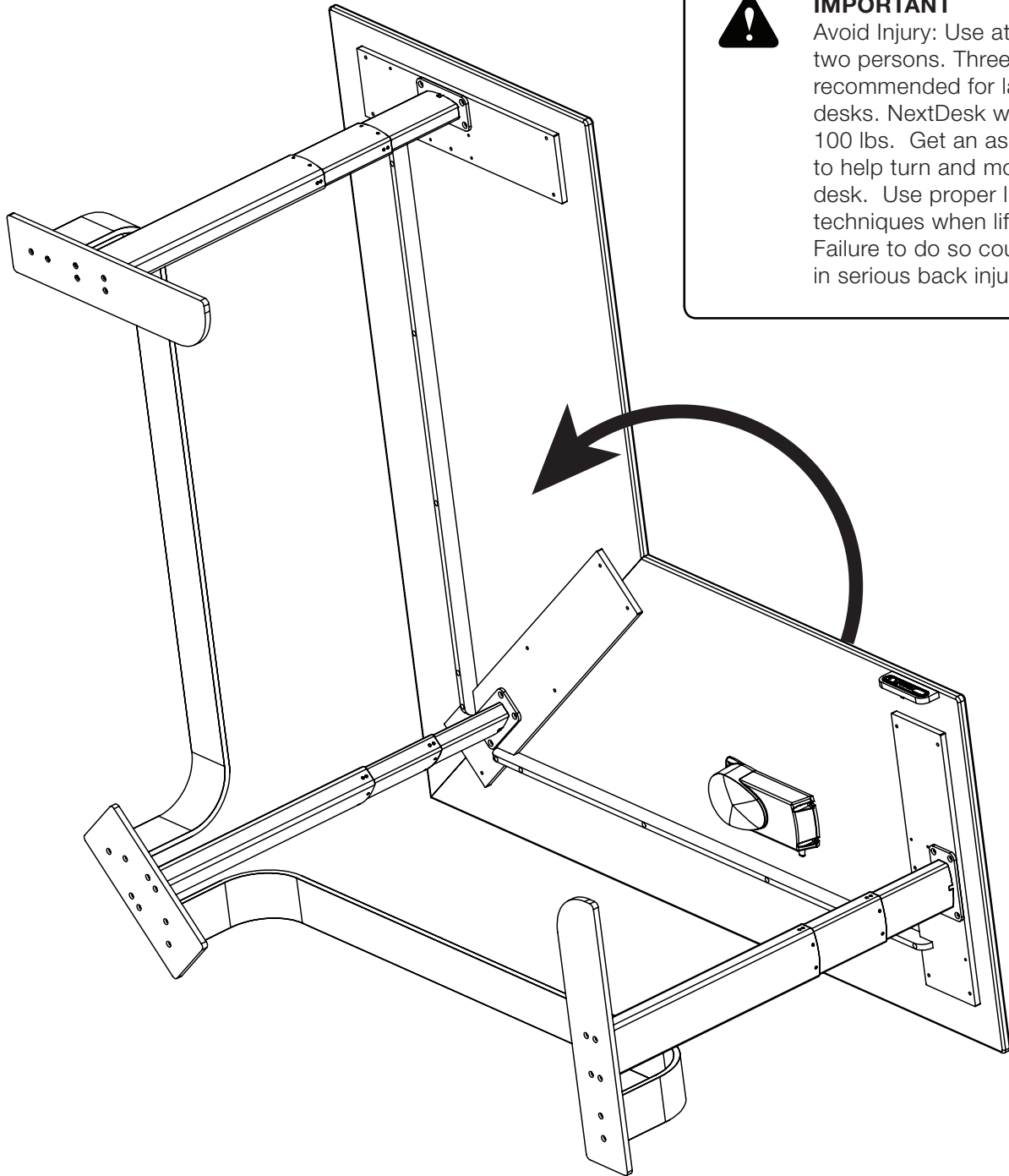
Most Motor cables are pre-mounted to desktop and pre-wired to the control box. Plug each motor cable into the cable leading to the control box. Depending on the desk configuration, some cables may need to be installed.



Step
8

Turn Over Desk

Using two people, carefully turn desk onto its longest side (shortest side in the air)



IMPORTANT

Avoid Injury: Use at least two persons. Three is recommended for larger desks. NextDesk weighs over 100 lbs. Get an assistant to help turn and move the desk. Use proper lifting techniques when lifting. Failure to do so could result in serious back injury.



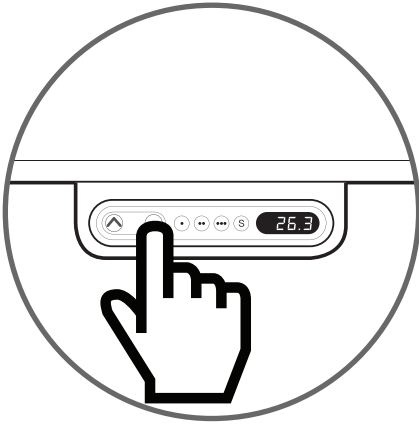
IMPORTANT

After the desk is upright; Desk is **NOT** complete. **DO NOT** put weight or load on desktop at this time.



Step 9

Initialize Desk



A. Connect power cord to standard wall outlet. For desks with Power Management, the power cord is factory attached. For desks without Power Management, plug power cord into the control box prior to connecting to wall outlet.

B. Press and hold the (▼) button until the lifting columns have completely retracted and continue to hold for 5 seconds after all movement stops.

C. Once the columns are completely retracted, they will automatically run approximately 5 mm out again and then slowly run in again. Do not release the (▼) button until 5 seconds after all movement has completely stopped.

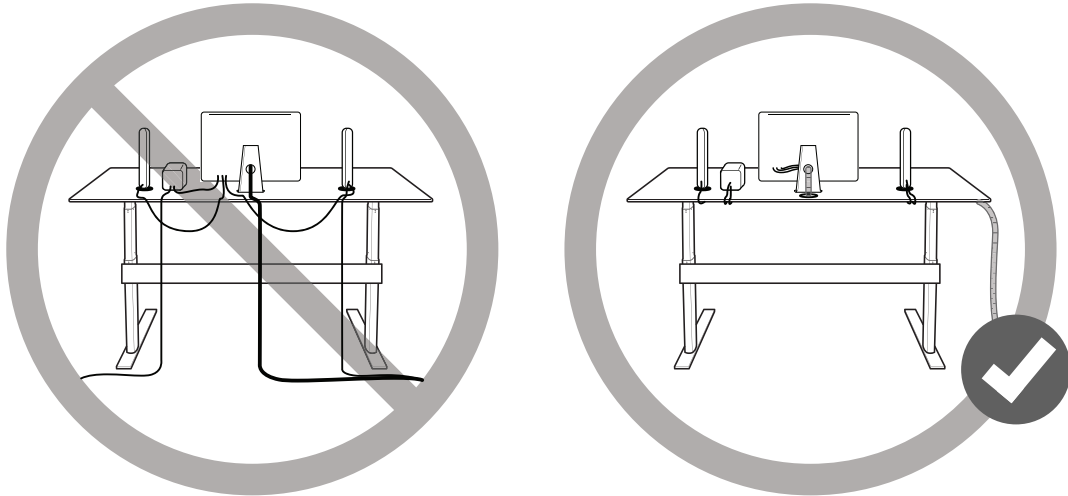
Note: It is sometimes necessary to press the (▼) button twice to start initialization. There may be a short delay before movement begins.

Note: If the (▼) button is released before the sequence is complete then initialization is interrupted and the process must be started again from the beginning.

Step 10

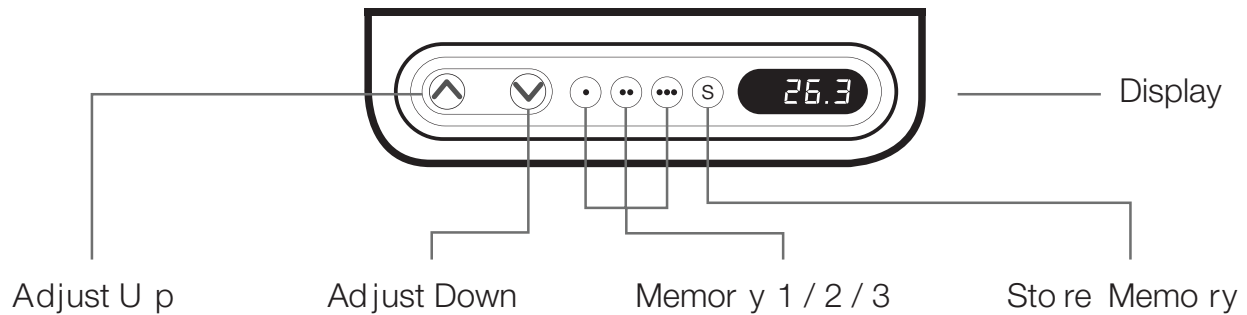
Cable Management

Maintain the sleek lines of NextDesk. Spend a few minutes to tidy up all visible cords and cables and then cover with NextFlex.



- Straighten and untangle cables.
- Group the main cables running to your desk into a bundle (main power cable/network cable/printer cable)
- Group the cables between your PC and desktop into a bundle (monitor/speakers)
- Cover bundles with NextFlex expandable cable cover
- Attach the self-adhesive zip ties underneath NextDesk and secure cables and bundles
- Consider the optional NextDesk Vanity Cover/Cable Raceway for even easier cable management (available in matching aluminum)





Up and Down (▲ ▼)

Press either the up or down button for parallel drive and the system will drive until the button is released again or the system reaches end position.

Programmable Memory

The four small buttons are used for memory drive/storing memory.

Store Memory Presets

- Raise or lower the desk to the height you wish to store as a preset.
- Press and release the (S) button.
- Within these two seconds, press a memory button (● or ●● or ●●●).
The panel will acknowledge by showing "1", "2", or "3" in the display depending on chosen position.

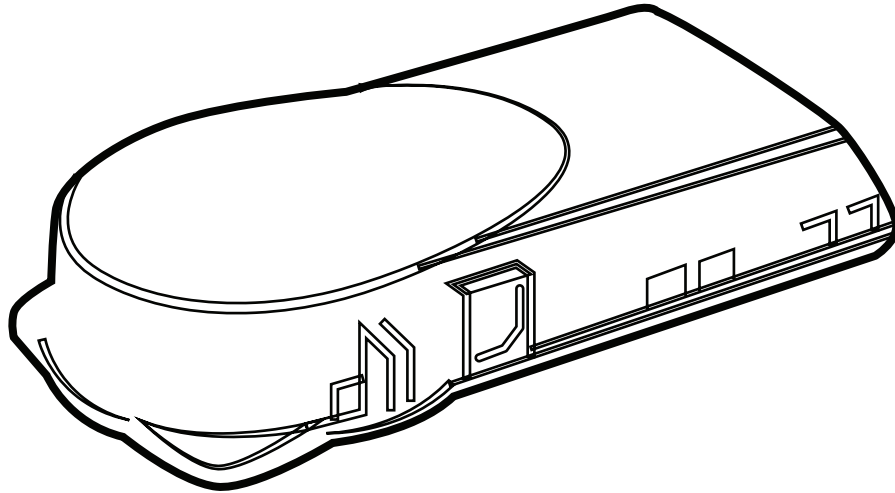
Using Memory Presets

Press one of the memory buttons and the system will start moving to the preprogrammed memory position. Keep the button pressed until the position is reached. As a safety precaution, NextDesk requires the user to continuously press the memory preset button. NextDesk will stop automatically upon reaching the preset height.

Display Function

Shows the actual height.

Anti-Collision™ Feature



Method of operation

The control box monitors the electric consumption on each lifting column. If the electric consumption on one channel is increased more than a predefined slope, a collision is assumed. All channels are stopped immediately and all desk legs will start to run in the opposite direction (approximately 50 mm). The anti-collision sensitivity is different in upward and downward direction. Upwards the force is approximately 20 kg. Downwards the load will be approximately 40 kg + the load on the desk lifting column (the desk + what is on top of the desk).

Situations where the anti-collision does not work

- If the collision happens during the initialization phase.
- If the collision happens within the first 1000 milliseconds or after the control button has been released.
- If the collision happens between the floor and the table, and the load on the desk, plus the weight of the legs are lower than 40 kg.
- If the collision happens over too long of a time, e.g. if the collision is with a soft object.

Maintenance

Regular Maintenance

Clean dust and dirt on the outside of the NextDesk and other components at regular intervals and inspect them for damage and breaks. Inspect the connections, cables, and plugs and check for correct functioning as well as the security of the connection points.



The cleaners and disinfectants must not be highly alkaline or acidic (pH value 6-8).



WARNING! The NextDesk systems do not withstand oil.

Description of the NextDesk

Each NextDesk actuator/lifting column is equipped with a motor, and synchronicity is ensured by means of software that also takes account of an oblique load on the desk. Soft start and stop are also part of this software, which ensures a soft start and stop when adjusting the desk.

Maximum Duty Cycle:

Irrespective of the load, the duty cycle of 10% (6 min./ hour) or maximum 2 min. at continuous use must NOT be exceeded, as this will result in overheating of the motor and control box. Exceeding the duty cycle will result in a dramatic reduction of the life of the system.



Troubleshooting and Repairs

Error Codes

Below are the possible error codes that may be displayed on the controller

Error Code	Description	Solution
E01	Lifting columns are in an unknown position	Initialize or Reinitialize- refer to Page 17
E02	Overload in upwards direction has occurred	Reduce the weight on NextDesk
E03	Overload in downwards direction has occurred	Remove objects that prevent downward movement
E16	Illegal keys are pressed	Release all buttons & press a valid button or combination

Repairs

In order to avoid the risk of malfunction, all NextDesk repairs must be carried out by authorized NextDesk repair centers as special tools and gaskets must be used.



WARNING! If any of the NextDesk products are opened, there will be a risk of subsequent malfunction.

Limited Warranty

SCOPE OF WARRANTY

Next Technologies, Inc. (“NextDesk”) warrants to the original purchaser its new desks (except for components not warranted under “Exclusions”) manufactured by NextDesk to be free from defects in material and workmanship under normal use and service. NextDesk’s obligation under this warranty is limited to the repair or replacement, at NextDesk’s option, of the parts or the products the defects of which are reported to NextDesk within the applicable warranty period and which, upon examination by NextDesk, prove to be defective.

APPLICABLE WARRANTY PERIOD

The applicable warranty period, measured from the date of delivery to the original user, shall be five (5) years for all warranted desks.

EXCLUSIONS

This warranty does not cover and NextDesk shall not be liable for the following:

(1) repairs and replacements because of misuse, abuse, negligence, alteration, accident, freight damage, or tampering; (2) products which are not installed, used, and properly cleaned as required in the NextDesk “Installation” and or “Installation / Operation Manual” for this applicable product. (3) products considered to be of a consumable nature; (4) Shipping to or from repair center; (5) accessories or parts not manufactured by NextDesk; (6) charges by anyone for adjustments, repairs, replacement parts, installation, or other work performed upon or in connection with such products which is not expressly authorized in writing in advance by NextDesk.

EXCLUSIVE REMEDY

NextDesk’s only obligation under this warranty is the repair or replacement of defective parts. NextDesk shall not be liable for any direct, special, indirect, incidental, exemplary, or consequential damages or delay, including, but not limited to, damages for loss of profits or loss of use.

NO AUTHORIZATION

No person or firm is authorized to create for NextDesk any other obligation or liability in connection with the products.

THIS WARRANTY IS NEXTDESK’S ONLY WARRANTY AND IS IN LIEU OF ALL OTHER WARRANTIES, EXPRESSED OR IMPLIED. NEXTDESK MAKES NO IMPLIED WARRANTIES OF ANY KIND INCLUDING ANY WARRANTIES OF MERCHANTABILITY OR FITNESS FOR ANY PARTICULAR PURPOSE. THIS WARRANTY IS LIMITED TO THE REPAIR OR REPLACEMENT OF DEFECTIVE PARTS.





2530 Shell Road
Georgetown, Texas 78628
(855) 718-1601
nextdesks.com